

# Rotary Turntables



40" (1,000 mm) diameter model shown



## Rotary Turntables

Accessories

Have a Label-Aire Authorized Distributor contact you. Visit [www.label-aire.com](http://www.label-aire.com).



# Rotary Turntable Specifications

Label-Aire® rotary turntables make labeling even easier and faster.

Label-Aire's line of rotary turntables are designed to increase the efficiency and throughput of your labeling system.

They can be used to unscramble or accumulate products. Unscrambling mode allows products to be loaded in mass and creates a single file queue that feeds the labeling system. Conversely, accumulation mode allows the turntable to store multiple products until they can be offloaded, packed, or continue to the next process in the line.

Our rotary turntables allow a labeling system to run much faster and more efficiently since it allows a single operator to both load and unload products without leaving the system idle.

## Dimensions:

Height: 50.58" (1,282 mm) Max.  
 Length: 19.69" (500 mm)  
 Width: 19.69" (500 mm)

## Weight:

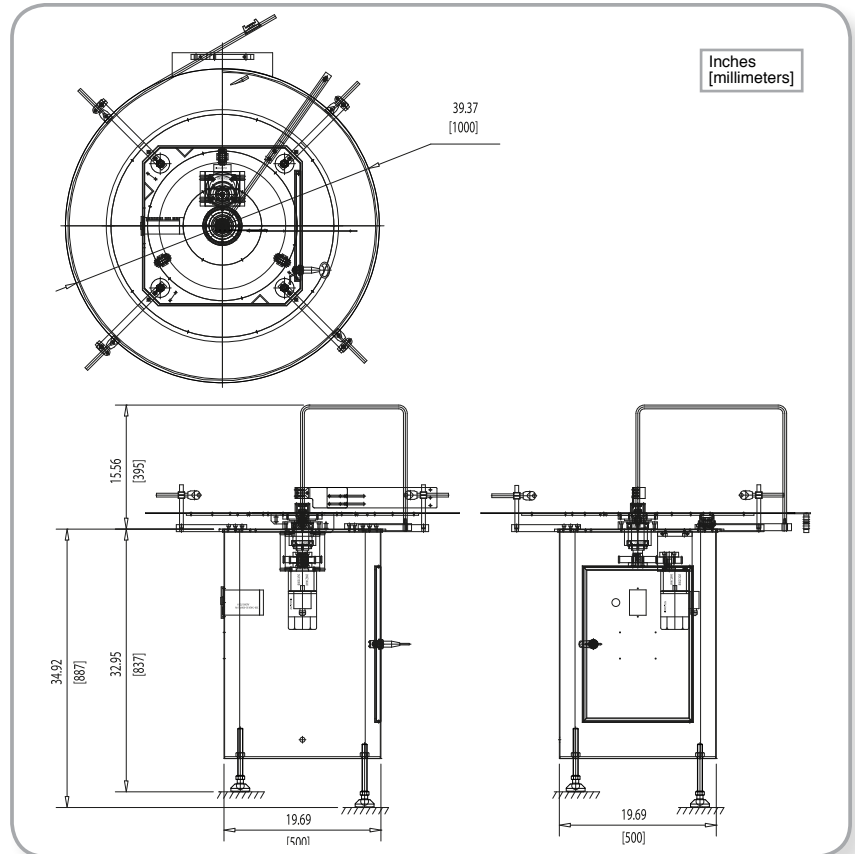
295 Lbs. (110 kg.) for the 40"  
 (1,000 mm) table dia. model

## Electrical:

115 Volts AC 50/60 Hz single phase  
 220 Volts AC 50 Hz optional

## Options:

Available in table diameters of  
 25" (650 mm), 33.5" (850 mm),  
 or 40" (1,000 mm)



*Stated dimensions are approximations. Please consult factory if dimensions are required for line integration.*

## Rotary Turntable Features

<b>All-in-one versatility</b>	Our turntable line is available in three different table diameters featuring variable speed control.
<b>AC variable speed drive</b>	Allows precise rotation speed adjustability.
<b>Bi-directional control</b>	Allows turntable to either unscramble or accumulate product in a packaging line.
<b>Tough construction</b>	Stainless steel SUS 304 construction means this unit can handle the most hostile environments.
<b>Height-adjustable foot pads</b>	Allows turntable to precisely match the height of conveyor for seamless transitions. They are also vibration-resistant for smoother operation.



### Headquarters

550 Burning Tree Road  
 Fullerton, CA 92833 USA

o 714.449.5105  
 f 714.526.0300  
 e info@label-aire.com  
 w www.label-aire.com

### Europe

Sjællandsvej 27A  
 DK-9500 Hobro, Denmark

o +45.9657.0063  
 f +45.9657.0064  
 e info@label-aire.com  
 w www.label-aire.com

### Asia

No. 10, Lane 228, Taisi S. Road  
 Longjing Township  
 Taichung County 434, Taiwan

o +886.4.2395.5684  
 f +886.4.2395.8007  
 e info@label-aire.com  
 w www.label-aire.com

### Distributed by:

**MPI Label Systems**  
 866-364-3585  
[www.mpilabels.com](http://www.mpilabels.com)  
[info@mpilabels.com](mailto:info@mpilabels.com)