

Model 311-NV



3111-NV Air-Blow

Primary Applicator

Underneath the skin of the NEW Label-Aire® 3111-NV Air-Blow Primary Applicator is an advanced labeler that offers speed, precision, reliability, and ease of use—all the things you've come to expect from Label-Aire. What you get in return is lower operating costs and increased productivity for your operation.

The Label-Aire Model 3111-NV was designed for high-speed air-blow labeling applications at a standard dispense speed of up to 1,500" (38.1 m) of web per minute or up to 2,000" (50.8 m) with the optional powered rewind. Advanced features include Velocity Compensation for improved label placement accuracy, a microprocessor controller with digital display, and ambidextrous parts. Zero Downtime Labeling allows your production to continue without costly interruptions. Missing label compensation virtually eliminates unlabeled products. Furthermore, the 3111-NV comes standard with a heavy duty double stack stepper motor—at no extra charge. The standard 7.13" (181 mm) wide applicator can be configured with a 4.13" (105 mm) wide or a 7.13" (181 mm) wide air grid. Not only can the 3111-NV be easily converted to left- or right-hand use, it can also apply labels to the top, side, or bottom of products with a label dispense accuracy of up to +/- 1/32" (.8 mm). Adding to the 3111-NV's versatility are the availability of tamp-blow and wipe-on conversion kits.

Like every machine we make, the Model 3111-NV Air-Blow is built to Label-Aire's meticulous quality standards. We're Label-Aire and we're the labeling machinery experts. Let the 3111-NV make labeling easy for you.

Have a Label-Aire Authorized Distributor contact you. Visit www.label-aire.com.



3111-NV Air-Blow Specifications

Dimensions:

Height: 26.04" (661.38 mm)
 Length: 34.78" (883.46 mm)
 Width: 25.11" (637.90 mm)

Weight:

140 lbs. (63.5 kg)

Standard Label Dimensions:

Max. Web Width: 4.13" (105 mm)*
 Optional 7.13" (181 mm)** web width
 Min. Web Width: .63" (16 mm)
 Min. Label Length: .75" (19 mm)

Label Packaging:

16" (406 mm) O.D. rolls std. on
 3" (76 mm) I.D. cores
 20" (508 mm) powered rewind and
 powered unwind

Dispense Speed:

Up to 1,500' (38.1 m) of web per
 minute (standard)
 Up to 2,000' (50.8 m) of web per
 minute with smart powered rewind

Label Dispense Accuracy:

+/- 1/32" (.8 mm)

Electrical:

115 Volts AC 60 Hz 3 Amps.
 220 Volts AC 50 Hz optional

Air:

4 cfm at 90 psi to 110 psi for
 most applications

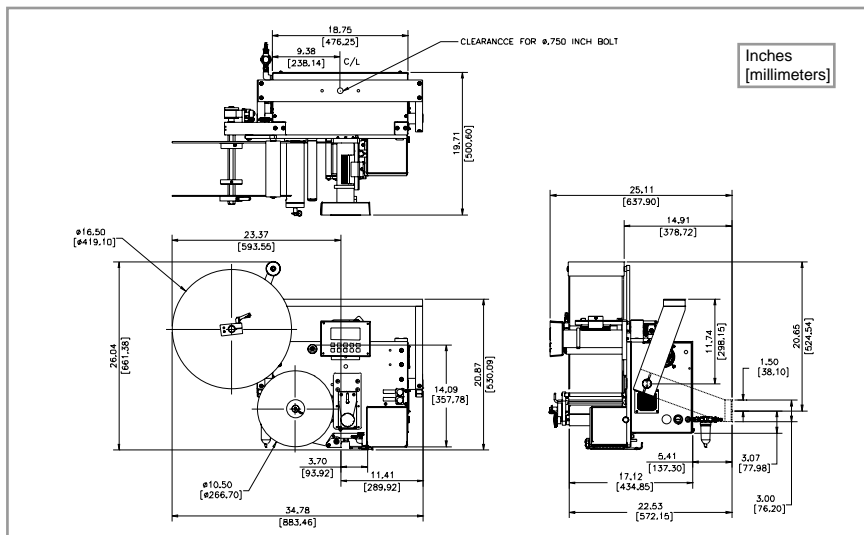
Options:

Smart 10" (254 mm) powered rewind
 Smart 20" (508 mm) powered unwind
 and powered rewind
 6" (152 mm) label core adapter
 Encoder kit for Velocity Compensation
 Strobe signals for "low label" and
 "out of labels"
 Clear label sensor upgrade
 Hot stamp imprinter
 Display tilt mounting brackets
 Model 2700 T-Base stand

Consult factory for additional options.

*With 4.13" (105 mm) wide air grid box

**With 7.13" (181 mm) wide air grid box



Stated dimensions are approximations. Please consult factory if dimensions are required for line integration.

3111-NV Air-Blow Advanced Features

Automatic setup	Includes multiple programmable label pages for easy changeovers to different label sizes.
Stepper motor drive	For precise starting/stopping, increased reliability, wider range speed variability, and lower maintenance.
R3 digital display	Select from five languages (English, French, German, Italian, Spanish), domestic or CE (European) configurations, standard/metric unit display and detailed alarm messages. Can rotate 360° in 90° increments.
Velocity Compensation	For improved label placement accuracy.
Optional quick-action collapsible rewind	Allows easy removal of scrap liner.
Optional smart powered rewind	For dynamic web tension control.
Air-blow applicator	Easily adapts to tamp-blow or wipe-on use.



Headquarters

550 Burning Tree Road
 Fullerton, CA 92833 USA

o 714.449.5155
 f 714.526.0300
 e info@label-aire.com
 w www.label-aire.com

Europe

Sjællandsvej 27A
 DK-9500 Hobro, Denmark

o +45.9657.0063
 f +45.9657.0064
 e info@label-aire.com
 w www.label-aire.com

Asia

No. 10, Lane 228, Taisi S. Road
 Longjing Township
 Taichung County 434, Taiwan

o +886.4.2395.5684
 f +886.4.2395.8007
 e info@label-aire.com
 w www.label-aire.com

Distributed by:

MPI Label Systems
866-364-3585
www.mpilabels.com
info@mpilabels.com