

CD/DVD Spine Labeling System

CTM **INTEGRATION INC.**
Labeling Systems Built to Last



Innovations in Labeling
www.ctmlabelingsystems.com

CD/DVD Spine Labeling System



Features:

1, 2 or 3 labels with print/apply, or apply only
Low label /out of label detection
Serial or Parallel Interface
12" O.D. x 3" I.D. Unwind
Universal Mounting Bracket
One Vacuum Pad/Manifold Assembly.
Photoelectric Product & Label Detect
Low Ribbon/Out of Ribbon detection

Conveyors:

3.75" wide x 8', 10', 12' long
8.25" wide x 8', 10', 12' long

All Conveyors Include:

Electrical Control Enclosure
Operator Control Console
Mattop Chain Surface
Versalum Low Profile Conveyor Side Frames
Modular Labeler Mounting Assembly w/traverse & column
One, Three-Fold Tooling Assembly
Casters & Leveling Pads

Options:

Bar Code Verification*
Disk Presence Detection
Product Metering Wheel
90 Degree Turn Station
Additional Fold Tooling** (Amaray/Alpha DVD cases)
**consult manufacturer for other case type fold tooling.

*Bar Code Verification Includes:

Microscan Scanner
Push-Button "Teach" Mode
Product Detect Scanner
Pneumatic Eject Mechanism

PLC Control
Eject Chute
Red, Green, Amber Light Stack
One Electrical Relay for Major Fault for Customer Use

Note: If bar code verification is not required, a relay output/input for fault conditions is optional

Spot Label Applicators

(may require additional conveyor length)
Will accommodate CTM 360 Series Blow-on, Tamp or Merge Label Applicators

Spot Labeler Options

Low Label Detection
Web Break detection
Strobe Light
T-base Mounting Stand (May require additional conveyor length)
Integral System Mounting (Requires additional conveyor length)
Systems do not include computer hardware

Electrical:

120 VAC, 30 amps.

Electronics:

PLC Controlled
Operator Interface

Pneumatic:

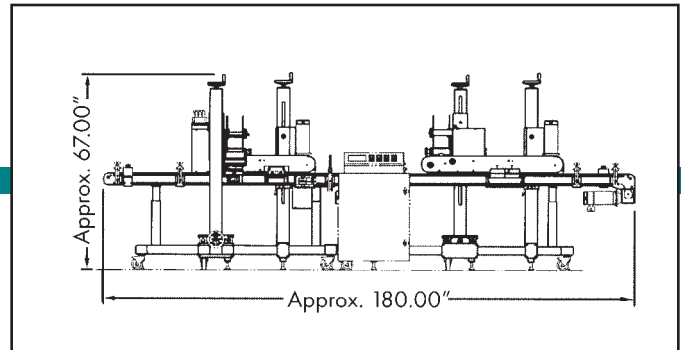
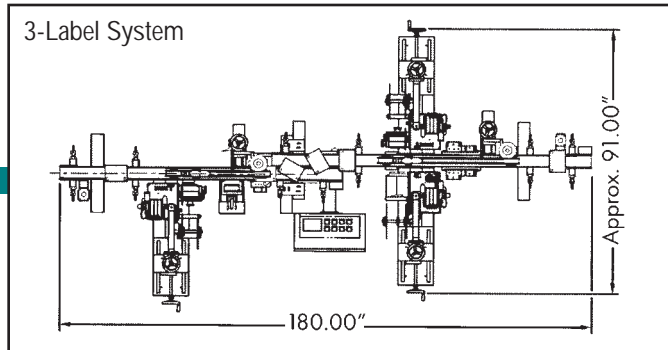
80 PSI @ 3 to 9 CFM depending upon application

Labeling Speeds:

120 PPM - Depending upon printer applicator configuration

Shipping Weight

Min.: 1200 lbs.
Max.: 1615 lbs.



Distributed By:

MPI Label Systems
866-364-3585
www.mpilabels.com
info@mpilabels.com

CTM INTEGRATION INC.
Labeling Systems Built to Last

1318 Quaker Circle
P.O. Box 589
Salem, Ohio 44460
(330) 332-1800

www.ctmlabelingsystems.com