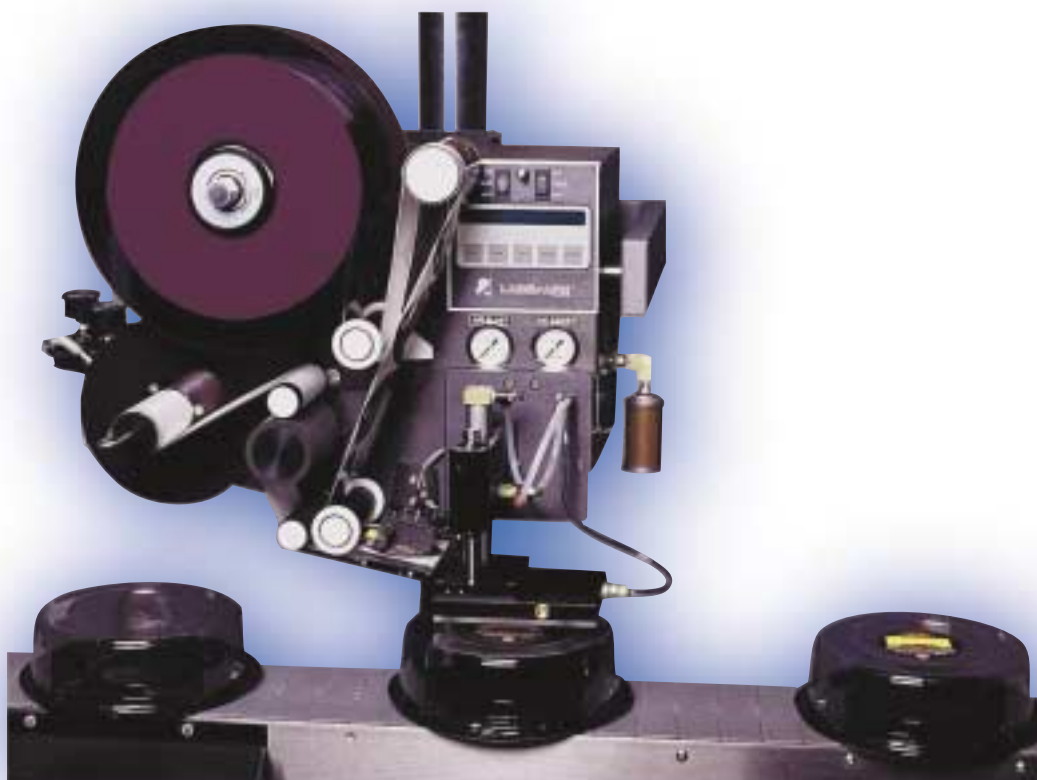


2114

Model 2114 Tamp Blow

 LABEL-AIRE®



precision

LABEL-AIRE®... LABELING SOLUTIONS THAT APPLY™

# Model 2114 Tamp Blow

The Label-Aire® Model 2114 has the versatility and speed to meet your toughest labeling requirements.

The Model 2114 Tamp Blow labeler is a versatile high speed labeler designed for very accurate label placement. Standard dispense speeds to 1250" (3190 cm) per minute with the option of attaining speeds up to 1600" (4079 cm) per minute with label rolls of 20" (508 mm) in diameter. Reliable operation is ensured by utilizing a menu driven microprocessor which permits repeatable settings and constant monitoring. Double labeling or unlabeled product due to missing labels on the roll are eliminated with peel tip sensing which further assures the accurate placement of labels on your products. The 2114's tough corrosion resistant, stainless steel and anodized aluminum housing provides durability and maintenance-free operation even for the most demanding applications.

- Optional stepper drive means "no wear parts" making it easier on your bottom line.
- Microprocessor controlled with repeatable settings and constant monitoring ensures reliable operation.
- Applies labels to the tops, sides, or bottoms of products for added versatility.
- Available in left- or right-hand configurations.



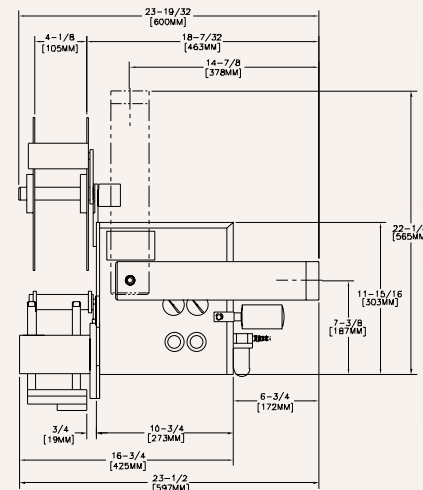
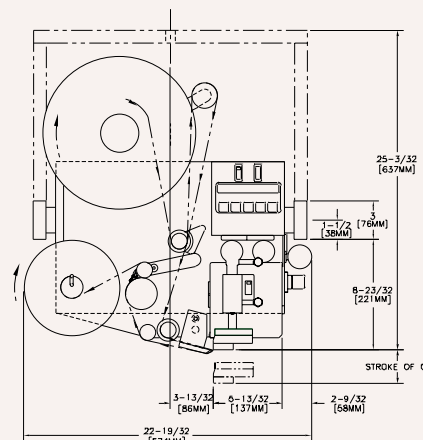
550 Burning Tree Road  
Fullerton, CA 92833 USA  
v: 714-441-0700 f: 714-526-0300

Sjaellandsvej 27 A  
Hobro, DK-9500 Denmark  
v: 45 96 57 00 63 f: 45 96 57 00 64

e: info@label-aire.com  
i: www.label-aire.com

Distributed by:

MPI Label Systems  
450 Courtney Rd.  
Sebring, OH 44672  
Ph: 800.837.2134  
www.mpilabels.com  
info@mpilabels.com



Label-Aire also provides a full range of rotary & inline systems, label applicators, printer applicators, and custom systems to meet your toughest labeling requirements.

## S P E C S

### Dimensions:

Height: 20" (508 mm)  
Width: 21" (533 mm)  
Length: 23" (584 mm)

### Weight:

110 lbs. (50 kg)

### Standard Label Dimensions:

Label Width: 4" (102 mm) (options for larger widths)  
Label Length: Depending on application

### Label Packaging:

12" (305 mm) O.D. rolls maximum on 3" (76 mm) I.D. cores  
Up to 20" (508 mm) rolls with powered unwind

### Dispense Speed:

Up to 1250" (3175 cm) of web per minute (standard)  
Up to 1600" (4079 cm) of web per minute with powered unwind

### Label Placement Accuracy:

Up to +/- 1/32" (0.8 mm)

### Electrical:

115 Volts AC 60 Hz 3 Amps.  
220 Volts AC 50 Hz optional

### Air:

4 cfm at 90 psi to 110 psi for most applications

### Options:

20" (508 mm) powered unwind  
6" (152 mm) label core  
Velocity compensation  
Strobe signal for "low label" or "out of labels"