

2111

 LABEL-AIRE®

Model 2111 Air Blow



precision

LABEL-AIRE®... LABELING SOLUTIONS THAT APPLY™

2111

Model 2111 Air Blow

The Label-Aire® Model 2111 is a fast and versatile labeler that can handle any application you throw at it.

The Model 2111 labeler is a high speed Air-Blow labeling machine designed for very accurate label placement. The label is retained by vacuum on a honeycomb applicator grid. At the precise moment the product passes under the grid, the label is accurately blown onto the product. Standard dispense speeds to 1250" (3175 cm) per minute with the option of attaining speeds up to 1600" (4079 cm) per minute with label rolls of 20" (508 mm) in diameter resulting in higher speeds, longer run times, and less roll changes. Can be mounted in almost any position adjacent to the production line to apply labels to the tops, sides or bottoms of products. Reliable operation is ensured by utilizing a menu driven microprocessor which permits repeatable settings and constant monitoring. With the 2111 double labeling or unlabeled product due to missing labels on the roll are eliminated with peel tip sensing which further assures the accurate placement of labels on your products.

- Microprocessor controlled with repeatable settings and constant monitoring ensures reliable operation.
- Applies labels to the tops, sides, or bottoms of products for added versatility.
- Available in left- or right-hand configurations.
- Available with 20" (508 mm) diameter powered unwind.
- Available velocity compensation ensures accurate labeling through extreme changes in product speed.
- Optional stepper drive means "no wear parts" making it easier on your bottom line.

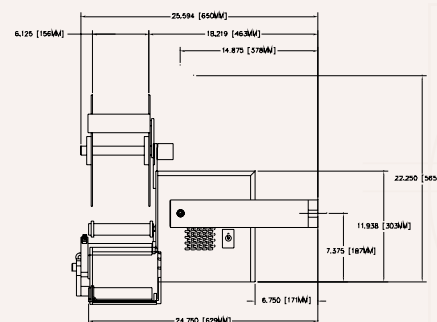
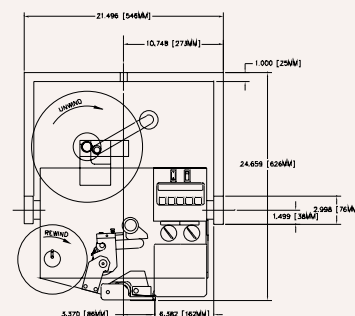
550 Burning Tree Road
Fullerton, CA 92833 USA
v: 714-441-0700 f: 714-526-0300

Sjaellandsvej 27 A
Hobro, DK-9500 Denmark
v: 45 96 57 00 63 f: 45 96 57 00 64

e: info@label-aire.com
i: www.label-aire.com

Distributed by:

MPI Label Systems
450 Courtney Rd.
Sebring, OH 44672
Ph: 800.837.2134
www.mpilabels.com
info@mpilabels.com



S P E C S

Dimensions:

Height: 20" (508 mm)
Width: 21" (533 mm)
Length: 23" (584 mm)

Weight:

110 lbs. (50 kg)

Standard Label Dimensions:

Maximum: 4" x 5.5" (102 mm x 140 mm) (larger grid sizes available)

Minimum:

.75" x .75" (19 mm x 19 mm)

Label Packaging:

12" (305 mm) O.D. rolls maximum
on 3" (76 mm) I.D. cores
Up to 20" (508 mm) rolls with
powered unwind

Dispense Speed:

Up to 1250" (3175 cm) of web per
minute (standard)
Up to 1600" (4080 cm) of web per
minute with powered unwind

Label Placement Accuracy:

Up to +/- 1/32" (0.8 mm)

Electrical:

115 Volts AC 60 Hz 3 Amps.
220 Volts AC 50 Hz optional

Air:

4 cfm at 90 psi to 110 psi for most
applications

Options:

20" (508 mm) powered unwind
6" (152 mm) label core
Velocity compensation
Strobe signal for "low label" or "out
of labels"

Label-Aire also provides a full range of
rotary & inline systems, label applicators,
printer applicators, and custom systems
to meet your toughest labeling requirements.

I M P A X X
THE COMPLETE PACKAGE
MACHINE SYSTEMS